



## ***45A Cooker Switches & Socket Outlets***



In creating the modern, aesthetically pleasing and ergonomic design of the CURVA range we did not lose sight of the need to produce a true value for money product offering the upmost appeal to installers and end users alike.

Only the best quality raw materials were used in producing this durable, attractive and modern range of accessories which will adorn the walls of all manner of buildings for years to come.

## 45A Cooker Switches & Socket Outlets

### Product Range

#### 45A Plate Switches (Red Rockers)

<b>CCA200</b>	45A 1 Gang Single Cooker Switch
<b>CCA201</b>	45A 1 Gang Single Cooker Switch with Neon
<b>CCA202</b>	45A 2 Gang Single Cooker Switch
<b>CCA203</b>	45A 2 Gang Single Cooker Switch with Neon
<b>CCA204</b>	45A Cooker Switch with 13A Switched Socket
<b>CCA205</b>	45A Cooker Switch with 13A Switched Socket & Neon



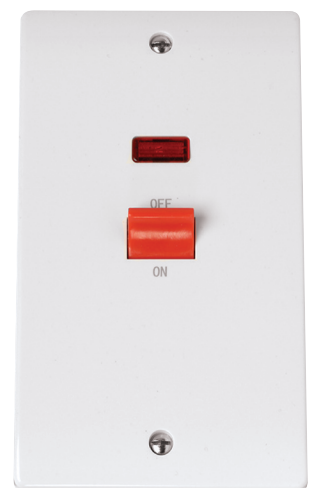
CCA200



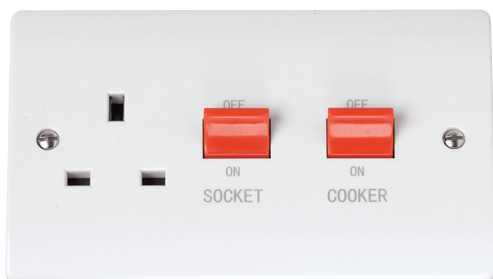
CCA201



CCA202



CCA203



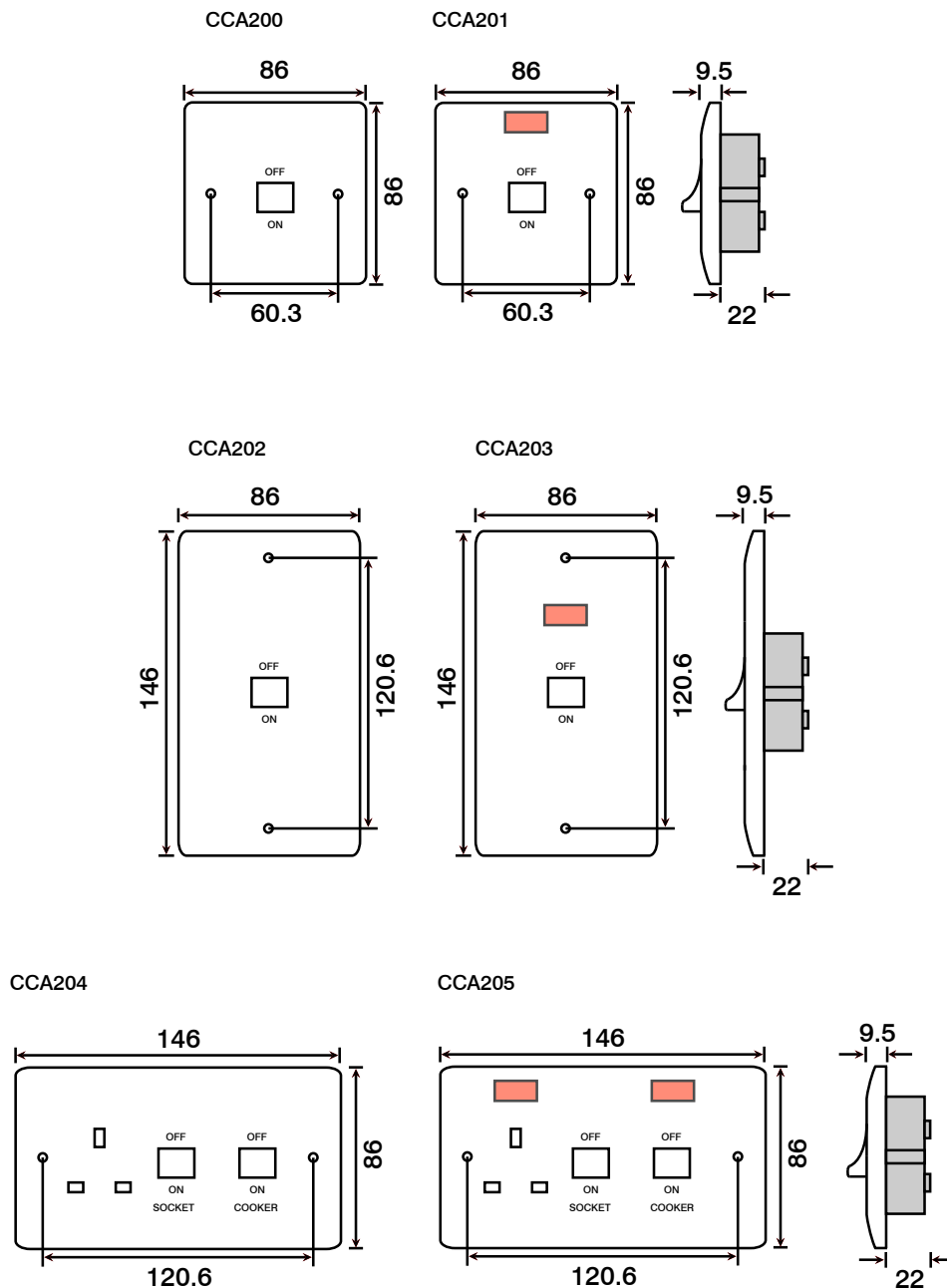
CCA204



CCA205

**45A Cooker Switches & Socket Outlets**

**Product Dimensional Drawings (mm)**



Errors & Omissions excluded. Specification is subject to change without notice.

V1.0

Scolmore International Ltd, 1 Scolmore Park, Landsberg, Lichfield Road Ind. Estate, Tamworth, Staffordshire, B79 7XB

**Telephone:** 01827 63454

**E-mail:** sales@scolmore.com, technical@scolmore.com

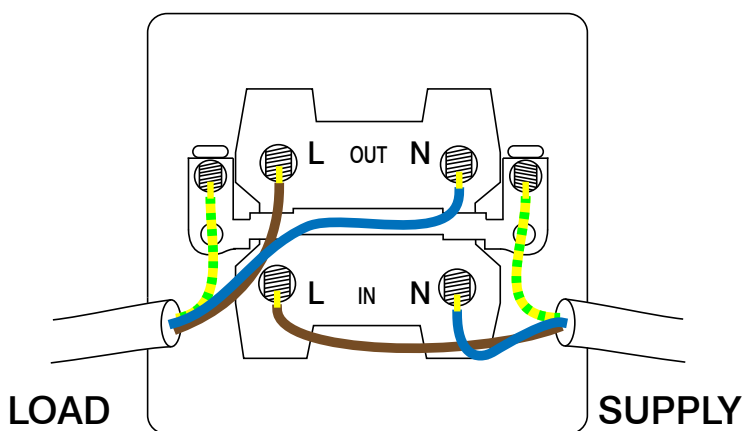
**Facsimile:** 01827 63362

**Website:** www.scolmore.com

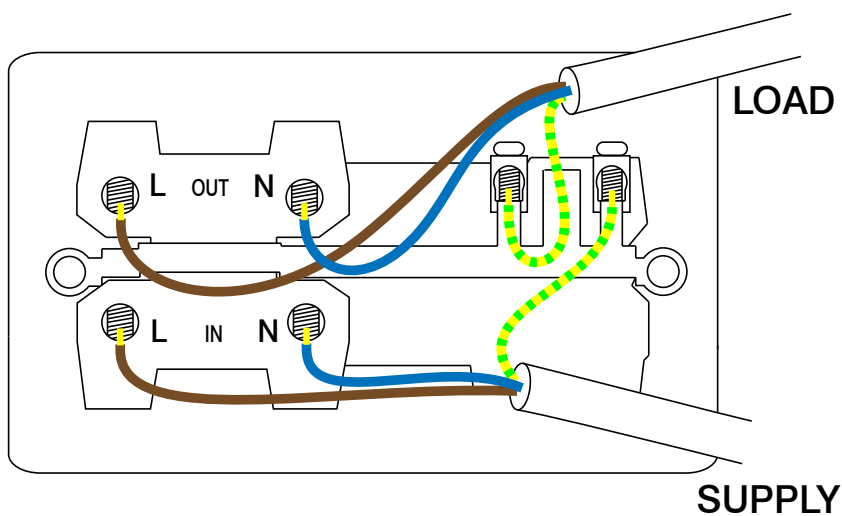
45A Cooker Switches & Socket Outlets

Wiring Diagrams

45A Cooker Switch



45A Cooker Switch with Socket



## 45A Cooker Switches & Socket Outlets

### Technical Specification

#### 45A Cooker Switches & Socket Outlets

<b>Material Composition</b>	Front Plate, Rocker Switch & Rear Housing: Urea Terminals: Brass, Terminal Screws: Steel & Yellow Passivated Internal Mechanism: Formed Press Brass Silver “on-lay” Copper / Brass Contacts
<b>Voltage</b>	240V~ 50Hz
<b>Current Rating</b>	45A
<b>Terminal Size</b>	6mm ø
<b>Torque Value</b>	2.5Nm
<b>Cable Size</b>	4 x 4mm <sup>2</sup> , 3 x 6mm <sup>2</sup> or 1 x 10mm <sup>2</sup>
<b>Double Pole</b>	Yes
<b>Twin Earth</b>	Yes
<b>Back Box Depth</b>	35mm - 47mm
<b>Warranty</b>	10 Years
<b>Anti Microbial Certified</b>	Yes
<b>IP Rating</b>	IP20
<b>Operational Temperature</b>	-5° to +40°C
<b>Standards</b>	The Low Voltage Directive 2006/95/EC / Modified ISO 22196 EN 60669-1:1999 + A1:2002 + A2:2008 (BS EN 60669-1:2000) BS 4177:1992 + A1:1993, 2:1997, 3:2004, 4:2007 BS 1363-2:1995 + A4 : 2012

### Additional Information

Ensure that the mains supply is isolated before commencing installation and refer to the circuit diagram with the relevant product.

Bare earth cables must always be covered with appropriate sleeving and wired to the earth terminal.

All white moulded accessories are manufactured using Urea Formaldehyde, which has similar inherent properties to antimicrobial additives that inhibit the growth of infectious diseases. All products were independently tested and achieved a 99.9% kill rate across all four types of the strains of bacteria - MRSA, E-Coli, Salmonella, and Klebsiella Pneumoniae.



**DECLARATION OF CONFORMITY**

1. *Issuer Name* Scolmore International Limited
2. *Issuer Address* 1 Scolmore Park, Landsberg,  
Lichfield Road Industrial Estate,  
Tamworth, Staffordshire, B79 7XB
3. *Object(s) of Declaration* Curva Range
- a. *Group* 45A Switches & 45A Cooker Control Units
- b. *Model No.* CCA200, CCA201, CCA202, CCA203, CCA204, CCA205
4. *The object of the declaration described above is in conformity with the requirements of the following Legislations:*
- | Document No | Title                 |
|-------------|-----------------------|
| 2006/95/EC  | Low Voltage Directive |

5. *All products contained within the aforementioned comply with the relevant standards and requirements listed below.*

BS EN 60669-1 : 1999 + A1 : 2002 + A2 : 2008 (BS EN 60669-1 : 2000)  
BS 4177: 1992 + A1:1993, 2:1997, 3:2004, 4 :2007  
BS 1363-2 : 1995 + A4 : 2012

6. *I hereby declare that the equipment named above has been designed to comply with the relevant sections of the above referenced specifications. The unit complies with all applicable Essential Requirements of the Directives.*

*In conjunction with the above all manufacture and process controls are in accordance with ISO 9001:2008*

Signed, for and on behalf of: Scolmore International Limited

Steven Bettson BSc - Senior Technical Support Engineer

**CE 13**